

Analogue Force Gauges

- accuracy $\pm 2\%$ of full scale
- resolution 1:200
- push or pull operation
- tension and compression
- peak hold function
- intrinsically safe
- full set of accessories with carrying case



Our range of analogue push-pull mechanical force gauges provide a cost-effective means of measuring tension and compression. These easy-to-use force gauges are ergonomically designed for handheld use.

Because they are mechanical and require no power supply, analogue force gauges are intrinsically safe and ideal for hazardous and remote environments. For optimum flexibility the dial is graduated in both lbf and newtons with readings accurate to $\pm 2\%$ of full scale.

Our analogue force gauges are sold as a kit complete with a set of accessories and hard carrying case. Accessories include a chisel point, compression plate, cone point, extension rod, inverse chisel point and test hook.



Keypad Test



Wire Pull-out Test

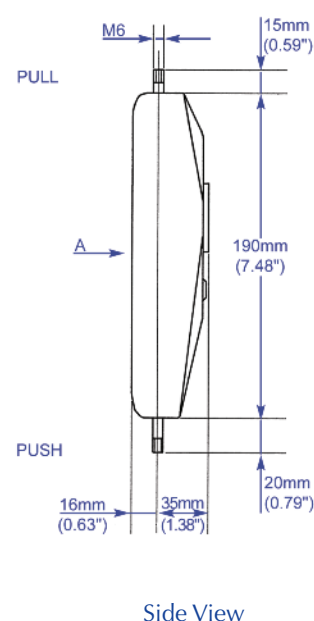
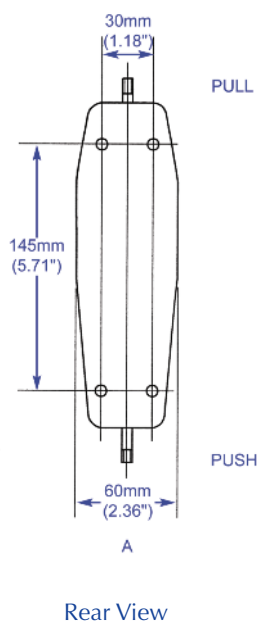
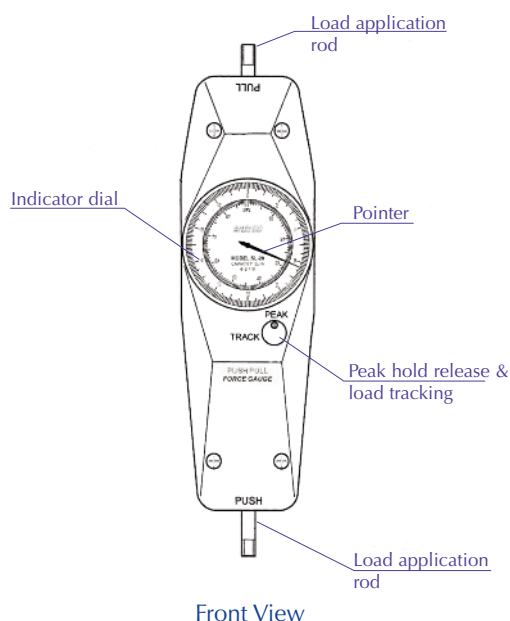


Switch Test



Safety Evaluation of Fire Extinguisher

Dimensions mm (inch)



Specifications

Model	Range	newtons		Pounds	
		Graduation	Range	Graduation	Range
SL-2	8N	0.05N	2lb	0.01lb	
SL-20	88N	0.5N	20lb	0.1lb	
SL-50	220N	1N	50lb	0.2lb	
SL-100	440N	2N	100lb	0.5lb	
Weight	570g				
Accuracy	±2% of full scale				
Calibration	Calibration Certificate available upon request				

Mecmesin reserves the right to alter equipment specifications without prior notice.



S.I. Instruments
256 South Rd. Hilton
South Australia 5033
Ph (08) 8352 5511

info@si-instruments.com
www.si-instruments.com

DISTRIBUTOR STAMP

431-035-04

Head Office

Mecmesin Limited
Newton House, Spring
Copse Business Park,
Slinfold, West Sussex,
RH13 0SZ, United Kingdom,
e. sales@mecmesin.com
t. +44 (0) 1403 799979
f. +44 (0) 1403 799975

North America

Mecmesin Corporation
45921 Maries Road,
Suite 120, Sterling
Virginia 20166, U.S.A.
e. info@mecmesincorp.com
t. +1 703 433 9247
f. +1 703 444 9860

Asia

Mecmesin Asia Co. Ltd
91/1 Chaiyo Building, 11th Floor,
Room 1103, Rama 9 Road, Huaykwang,
Bangkok, 10310, Thailand
e. sales@mecmesinasia.com
t. +66 2 247 46 81
f. +66 2 247 46 82

China

Mecmesin (Shanghai) Pte Ltd
Unit 1308 Da Lian Road,
No.970 (Hi shanghai Building 9),
Yang Pu District,
Shanghai, People's Republic of China
e. sales@mecmesin-china.com
t. +86 21 33771733 / 1755
f. +86 21 33771766