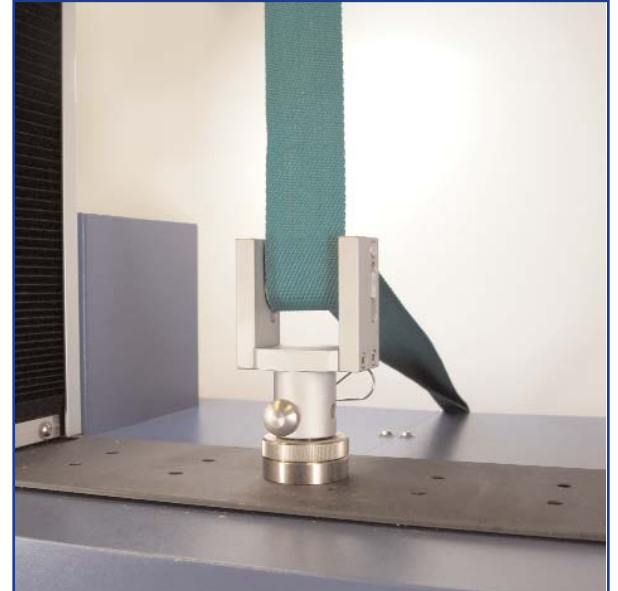


Webbing Grip



Description

These easy-to-use webbing grips are designed for rapid testing of high strength belts and tapes up to 50mm wide. The sample is wound around the ½" (12.7mm) diameter knurled roller and then around the 1" (25.4mm) diameter smooth roller. As load is applied, the smooth roller moves in the slot to secure tightly against the knurled roller ensuring maximum gripping strength.

Applications

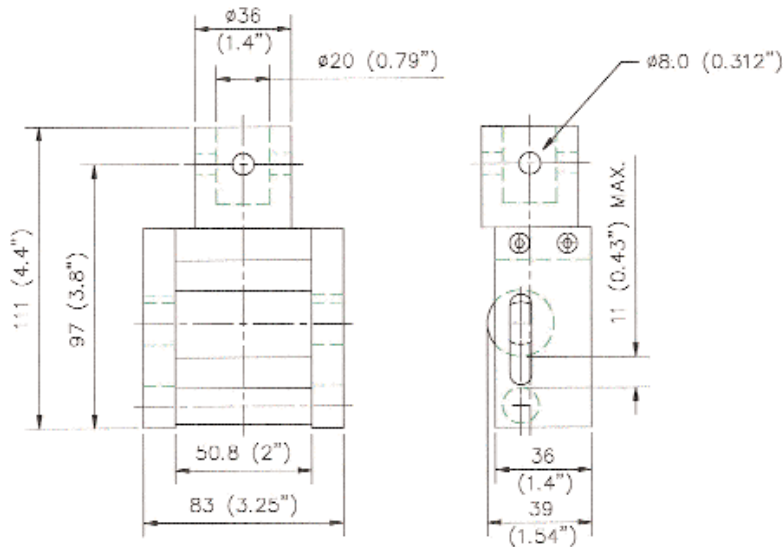
Used for tensile testing of:

- conveyor belts
- plastic and metal strapping
- safety harnesses
- seat belts
- tapes

Specifications

Maximum Capacity	Maximum Specimen Dimensions		Weight	Length
	Width	Thickness		
5000N (500kgf, 1100lbf)	50mm (1.97")	10mm (0.4")	1.1kg (2.4lbs)	111mm (4.4")

*Q = Quick-interchange via 8mm Ø pin
ACCESSORY PART NO. 432-269



Adaptors

To fit to:	Adaptor Type and (Part Number)*
Loadcells	
XLC-T / ILC-T 25kN	Type C (432-284) and Type G (432-288)
XLC-T / ILC-T 10kN, XLC-S / ILC-S 2500N, 5000N	Type C (432-284) and Type F (432-287) up to 5kN
XLC-S / ILC-S 1000N	Type C (432-284) and Type E (432-286)
XLC-S / ILC-S 100N, 200N, 500N	Type C (432-284) and Type D (432-285)
Force Gauge with 5/16 UNC Thread	Type A (432-282)
ILC / Force Gauge 10/32 UNF Thread	n/a
Test Stands	
MultiTest 10kN / 25kN	Type C (432-284) supplied with stand
MultiTest 5kN	Type C (432-284)

* For further information please see Adaptor Datasheet 431-354-1-1



S.I. Instruments
256 South Rd. Hilton
South Australia 5033
Ph (08) 8352 5511

info@si-instruments.com
www.si-instruments.com

431-354-9-2

Mecmesin reserves the right to alter equipment specifications without prior notice.

Head Office

Mecmesin Limited
Newton House, Spring
Copse Business Park,
Slinfold, West Sussex,
RH13 OSZ, UK

e. sales@mecmesin.com
t. +44 (0) 1403 799979
f. +44 (0) 1403 799975

North America

Mecmesin Corporation
45921 Maries Road,
Suite 120, Sterling
Virginia 20166,
U.S.A.

e. info@mecmesincorp.com
t. +1 703 433 9247
f. +1 703 444 9860

Asia

Mecmesin Asia Co. Ltd
91/1 Chaiyo Building, 11th Floor,
Room 1106, Rama 9 Road, Huaykwang,
Bangkok, 10310,
Thailand

e. sales@mecmesinasia.com
t. +66 2 247 46 81
f. +66 2 247 46 82

China

Mecmesin (Shanghai) Pte Ltd
Unit 1308, Da Lian Road,
No. 970, (Hi Shanghai Building 9),
Yang Pu District, Shanghai,
People's Republic of China

e. sales@mecmesin-china.com
t. +86 21 3377 1733 / 1755
f. +86 21 3377 1766