

Spring Action Vice Clamp



Description

This clamp is designed for gripping film, paper, labels, tape and other thin materials for tensile and peel testing. Ideal for testing low force samples, the Spring Action Vice Clamp is fitted with adjustable serrated interlocking jaws to effectively grip samples for up to 200N (45lbf) of force.

Applications

Used for tensile and peel testing of:

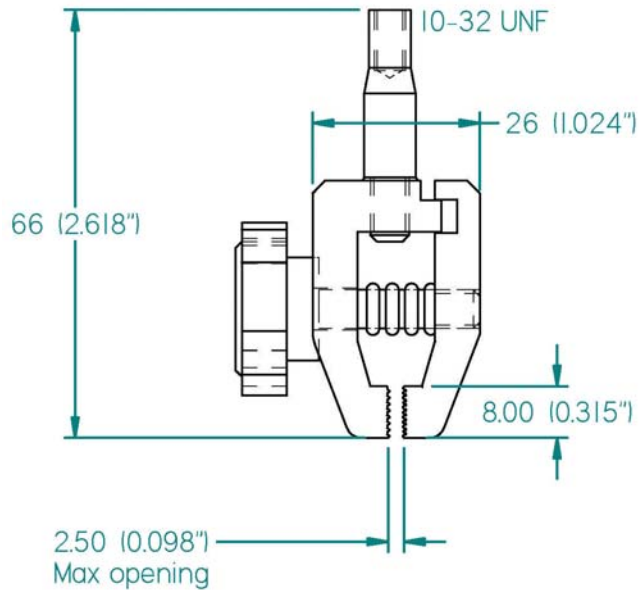
- films
- flexible sheet materials
- paper
- laminates
- textiles
- rubber
- woven fabrics
- tissue
- tape

Specifications

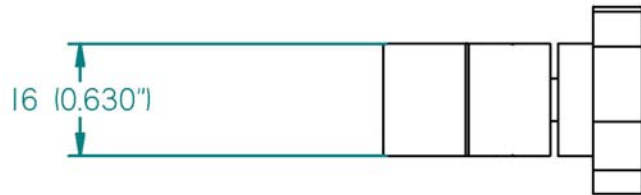
Maximum Capacity	Maximum Specimen Dimensions		Weight	Length
	Width	Thickness		
200N (20kgf, 45lbf)	26mm (1.024")	2.50mm (0.098")	100g (0.22lbs)	66mm (2.618")

ACCESSORY PART NO. 432-381

Dimensions mm (inch)



Front View



Bottom View



S.I. Instruments
256 South Rd. Hilton
South Australia 5033
Ph (08) 8352 5511

info@si-instruments.com
www.si-instruments.com

DISTRIBUTOR STAMP

431-354-23-1

Mecmesin reserves the right to alter equipment specifications without prior notice.

Head Office

Mecmesin Limited
Newton House, Spring
Copse Business Park,
Slinfold, West Sussex,
RH13 0SZ, UK

e. sales@mecmesin.com
t. +44 (0) 1403 799979
f. +44 (0) 1403 799975

North America

Mecmesin Corporation
45921 Maries Road,
Suite 120, Sterling
Virginia 20166,
U.S.A.

e. info@mecmesincorp.com
t. +1 703 433 9247
f. +1 703 444 9860

Asia

Mecmesin Asia Co. Ltd
91/1 Chaiyo Building, 11th Floor,
Room 1106, Rama 9 Road, Huaykwang,
Bangkok, 10310,
Thailand

e. sales@mecmesinasia.com
t. +66 2 247 46 81
f. +66 2 247 46 82

China

Mecmesin (Shanghai) Pte Ltd
Unit 1308, Da Lian Road,
No. 970, (Hi Shanghai Building 9),
Yang Pu District, Shanghai,
People's Republic of China

e. sales@mecmesin-china.com
t. +86 21 3377 1733 / 1755
f. +86 21 3377 1766