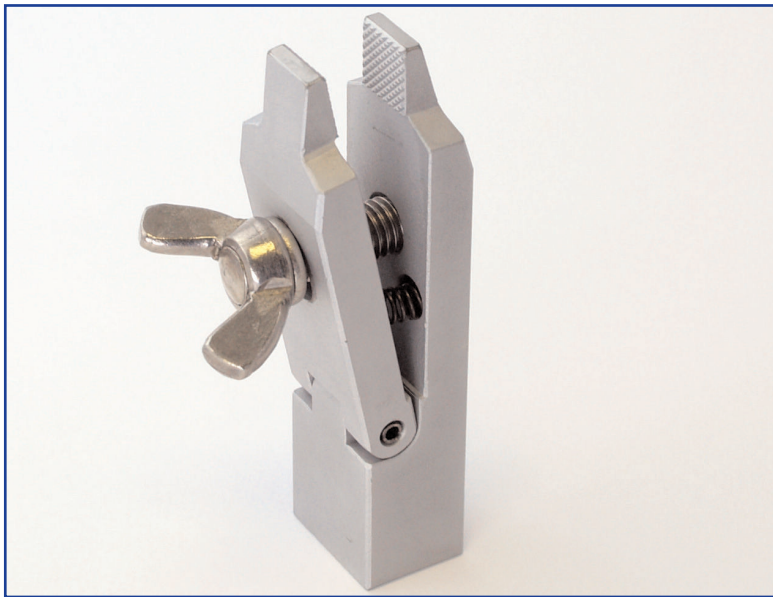


Large Pinch Grip (Narrow-Nosed) (QC-K03-1)



Description

Large narrow-nosed pinch grips are ideal for testing small mechanical or electrical components, which are not easily accessible for standard jaws. The tapered jaw has a cross-hatch face for enhanced gripping strength with fast installation and release of samples achieved by manually tightening the wing nut.

Applications

Used for pull-off testing of:

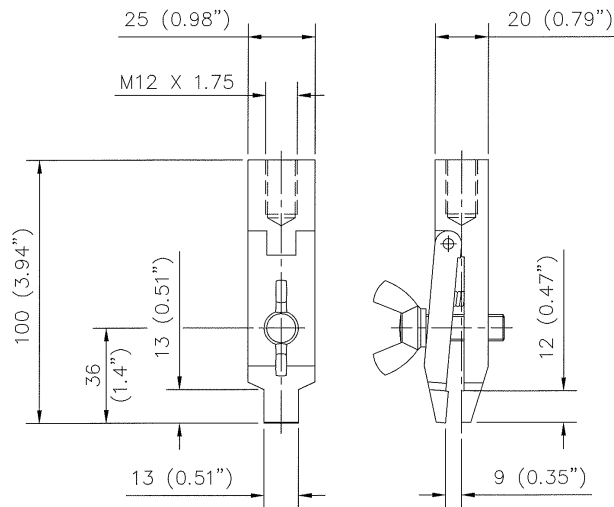
- miniature and welded components
- foil and paper tabs
- tapes

Specifications

Maximum Capacity	Maximum Specimen Dimensions		Weight	Length
	Width	Thickness		
200N (20kgf, 44lbf)	13mm (0.51")	9mm (0.35")	0.3kg (0.7lbs)	100mm (3.94")

ACCESSORY PART NO. 432-279

Dimensions mm (inch)



Adaptors

To fit to:	Adaptor Type and (Part Number)*
Loadcells	
XLC-T / ILC-T 25kN	Not suitable
XLC-T / ILC-T 10kN, XLC-S / ILC-S 2500N, 5000N	Not suitable
XLC-S / ILC-S 1000N	M10 to M12 - M to M (406-412)
XLC-S / ILC-S 100N, 200N, 500N	5/16 to M12 - M to M (406-149) and 5/16 to M6 - F to F (ACC008-007)
Force Gauge with 5/16 UNC Thread	5/16 to M12 - M to M (406-149) and 5/16 to 5/16 - F to F (406-485)
ILC / Force Gauge with 10/32 UNF Thread	5/16 to M12 - M to M (406-149) and 10/32 to 5/16 - F to F (ACC008-27)
Test Stands	
MultiTest 10kN / 25kN	5/16 to M12 - M to M (406-149)
MultiTest 5kN	5/16 to M12 - M to M (406-149)

* For further information please see Adaptor Datasheet 431-354-1-1



S.I. Instruments
256 South Rd. Hilton
South Australia 5033
Ph (08) 8352 5511

info@si-instruments.com
www.si-instruments.com

DISTRIBUTOR STAMP

431-354-19-1

Mecmesin reserves the right to alter equipment specifications without prior notice.

Head Office

Mecmesin Limited
Newton House, Spring
Copse Business Park,
Slinfold, West Sussex,
RH13 0SZ, UK

e. sales@mecmesin.com
t. +44 (0) 1403 799979
f. +44 (0) 1403 799975

North America

Mecmesin Corporation
45921 Maries Road,
Suite 120, Sterling
Virginia 20166,
U.S.A.

e. info@mecmesincorp.com
t. +1 703 433 9247
f. +1 703 444 9860

Asia

Mecmesin Asia Co. Ltd
91/1 Chaiyo Building, 11th Floor,
Room 1103, Rama 9 Road, Huaykwang,
Bangkok, 10310,
Thailand

e. sales@mecmesinasia.com
t. +66 2 247 46 81
f. +66 2 247 46 82

China

Mecmesin (Shanghai) Pte Ltd
Unit 18D, SiChuang Building No3,
No 600, Tian Shan Road,
Changning District, Shanghai,
People's Republic of China

e. sales@mecmesin-china.com
t. +86 21 6233 3459
f. +86 21 6233 3479